



**Dream.  
Design.  
Deliver.**

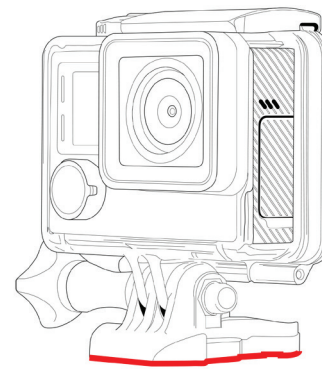
Action cameras

## Capture extreme footage

Assemble the components of your extreme-action camera for impact resistance and durability. Rain, sun, wind, heat or cold, 3M™ VHB™ Tape is weather-proven to stand the test of time.

### Benefits

- Weather resistance
- Durability
- Seal out water & dirt



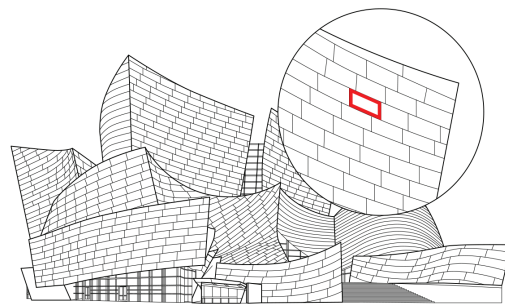
Walt Disney Concert Hall

## Design beautifully

Create a seamless facade with fast application of virtually invisible fastening for a permanent bond that expands your range of material options.

### Benefits

- Aesthetics
- Design flexibility
- Strength



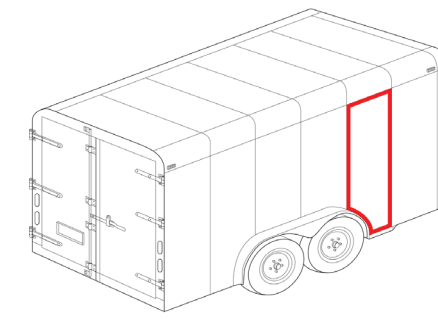
Trailers

## Build rivet-free for a smoother ride

Eliminate rivets and screws that can loosen, rattle and leak. Keep sides smooth for decals while damping vibration for a quieter ride.

### Benefits

- Strength
- Lightweighting
- Aesthetics



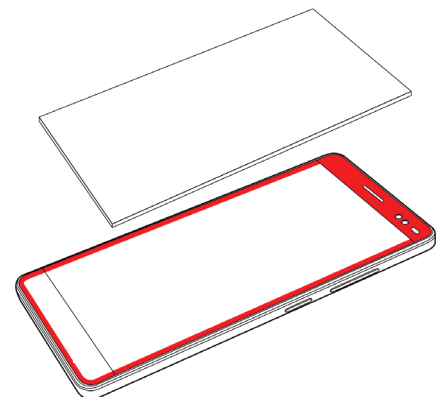
Smart devices

## Make smart devices sleeker

Use die cuts for a precise fit within devices and when bonding back covers, lenses, screens and more for a thin, sleek smart device.

### Benefits

- Join multiple materials
- Die-cut for precision
- Shock resistance



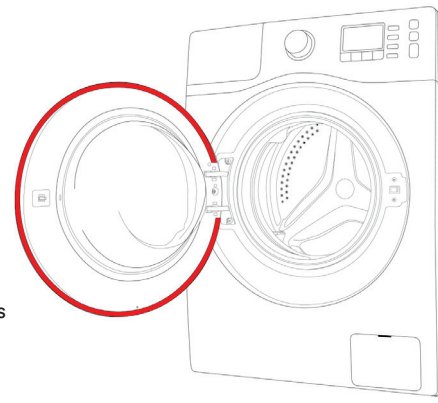
Appliances

## Bond multiple materials

For easy assembly of home appliances, use 3M™ VHB™ Tape to securely join materials like glass and metal without traditional fasteners.

### Benefits

- Damp vibration
- Join multiple materials
- Assemble quickly



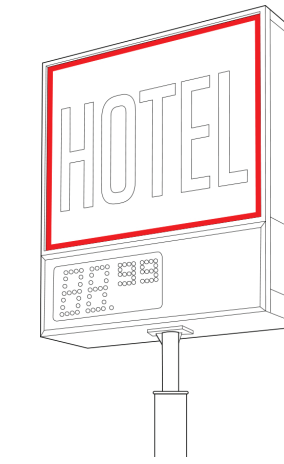
Sign and display

## Streamline manufacturing process

3M™ VHB™ Tape can take the heat. With short-term temperature resistance up to 450°F, materials can be bonded prior to powder coat or liquid painting processes.

### Benefits

- Eliminate spot welds
- Temperature resistance
- Join multiple materials



# Rethink tape

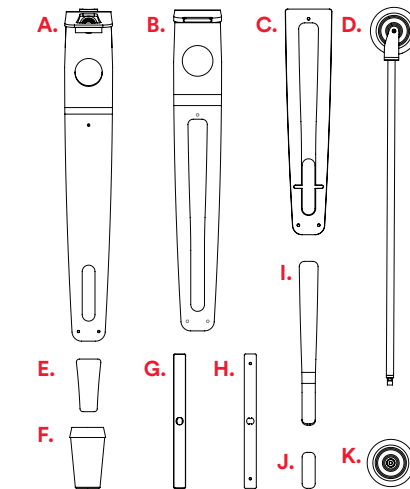
Can you build a scooter with tape? How about a tablet? A motorhome? A building? Yes, yes, yes and yes.

3M™ VHB™ Tape frees you from the constraints of traditional mechanical fasteners and liquid adhesives for projects large and small so you can design more creatively. Not only is it strong enough to hold a scooter together, it's also weather-proven, durable, and lightweight.

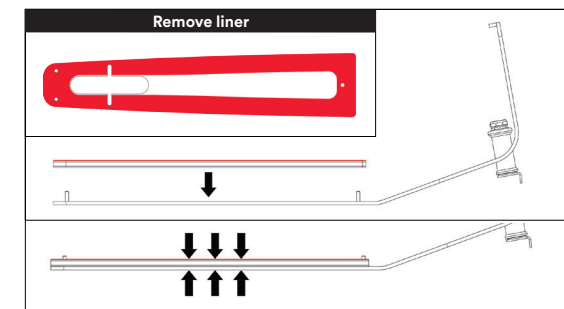
Find more inspiration online at [3M.com/VHB](http://3M.com/VHB)  
Dream. Design. Deliver.

## Parts

- A. Aluminum base
- B. Wood deck
- C. Polycarbonate core
- D. Steer tube
- E. Head badge
- F. Coffee mug
- G. Wood handlebar
- H. Aluminum handlebar
- I. Brake insert
- J. Aluminum wear strip
- K. Wheel assembly

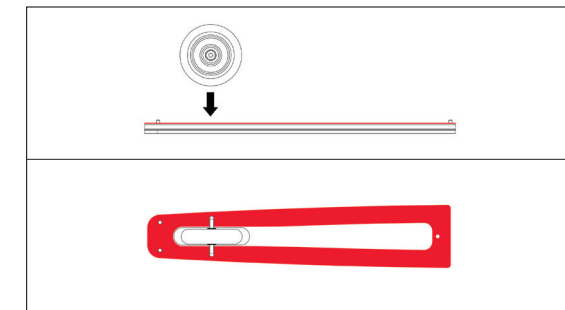


## 01



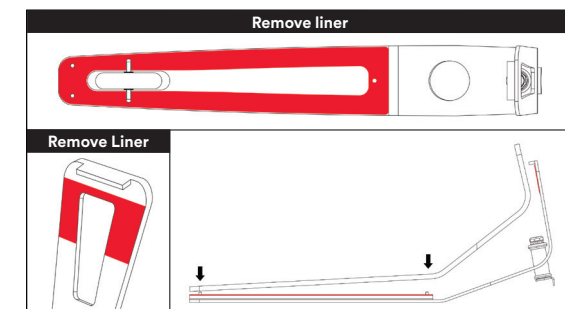
- Remove release liner from either side of the polycarbonate core (C) and align holes of the polycarbonate core with the pins on the aluminum base (A).
- Press, sticky-side-down, applying pressure all over.

## 02



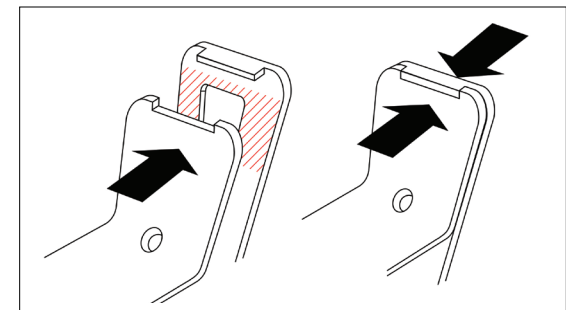
- Insert and press wheel assembly rod (K) into polycarbonate core (C) channel until it makes contact with the base.

## 03



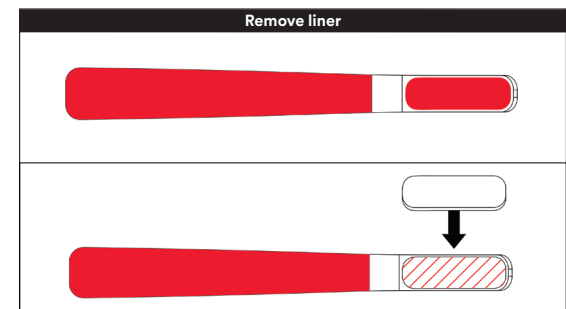
- Remove release liner from the top of the polycarbonate core (C).
- Remove horse-shoe release liner from the aluminum base (A).
- Align the wood deck (B) with the dowel pins in the aluminum base (A).

## 04



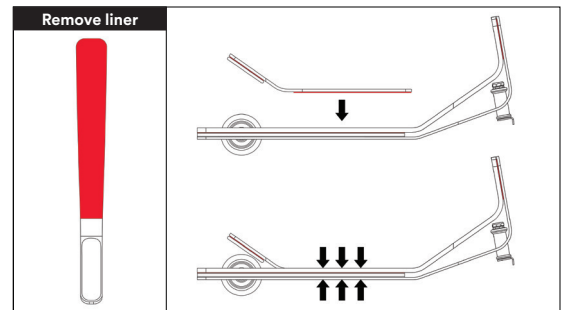
- Slide the top of the wood deck (B) under the aluminum tooth of the aluminum base (A) until it snaps into place, and apply pressure.

## 05



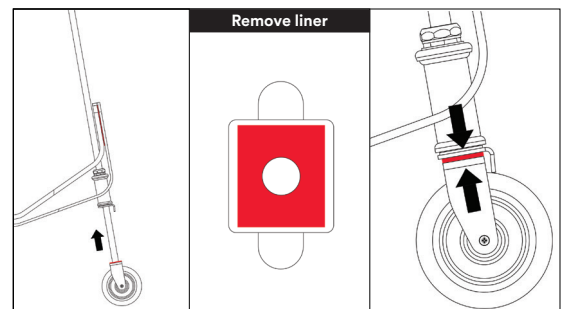
- Remove release liner from brake insert (I).
- Align and affix the aluminum wear strip (J) to the tape and apply pressure.

## 06



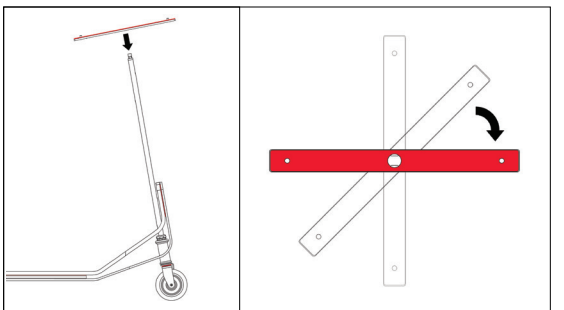
- Remove release liner from the brake insert (I) and align with the corresponding cutout in the wood deck (B).
- Apply pressure.

## 07



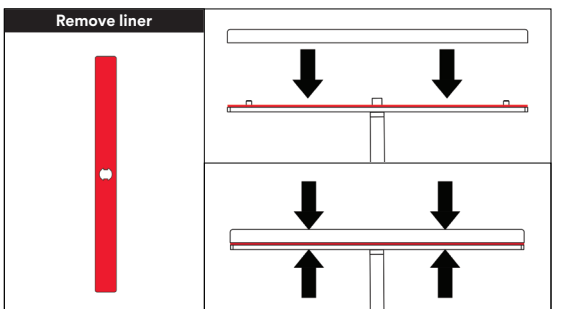
- Turn the scooter onto its side.
- Insert the steer tube (D) 3/4 of the way into the head tube of the aluminum base (A) from below.
- Remove release liner from the steer tube fork (D).
- Press the fork into the steer tube (D), applying pressure.

## 08



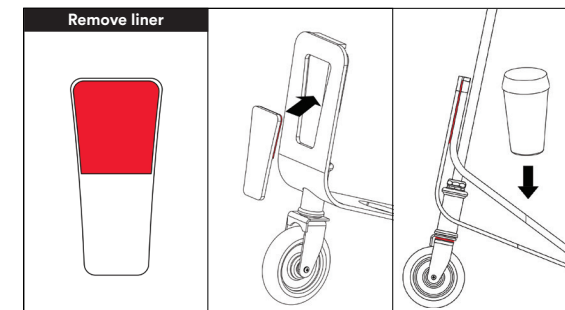
- Insert the aluminum handlebar (H) parallel with the wheel (dowel pins up) and turn clockwise 90 degrees.

## 09



- Remove release liner from the aluminum handlebar (H).
- Align the wood handlebar (G) with the dowel pins in the aluminum handlebar (H) and press into place.

## 10



- Remove release liner from the head badge (E) and align onto the front of the scooter.
- Press into place.
- Fill your coffee mug (F) with your beverage of choice, place it in the cupholder, and scoot into the sunset. Or to the copier. Whatever.

## Get inspired

See other side for additional applications.



Find more inspiration online at [3M.com/VHB](http://3M.com/VHB)  
Dream. Design. Deliver.

Industrial Adhesives and Tapes Division  
3M Center, Building 225-3S-06  
St. Paul, MN 55144 USA  
Phone: 1-800-362-3550  
Web: 3M.com/VHB

3M and VHB are trademarks of 3M Company.  
Please recycle. Printed in USA.  
© 3M 2016. All rights reserved.

**Warranty and Limited Remedy:** 3M warrants that each 3M product meets the applicable 3M product specification at the time 3M ships the product. 3M MAKES NO OTHER EXPRESS OR IMPLIED WARRANTIES OR CONDITIONS, INCLUDING ANY IMPLIED WARRANTY OR CONDITION OF MERCHANTABILITY OR FITNESS FOR A PARTICULAR PURPOSE. If the 3M product does not conform to the warranty, the sole and exclusive remedy is, at 3M's option, replacement of the 3M product or refund of the purchase price. Limitation of Liability: Except where prohibited by law, 3M will not be liable for any loss or damage arising from the 3M product, whether direct, indirect, special, incidental or consequential, regardless of the legal theory asserted.